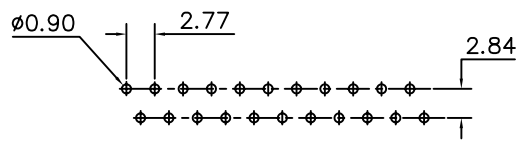
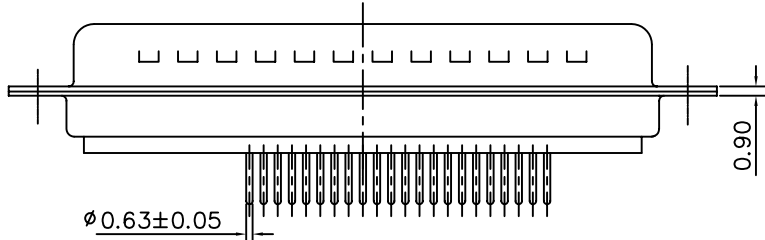
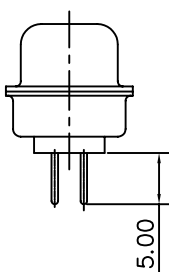
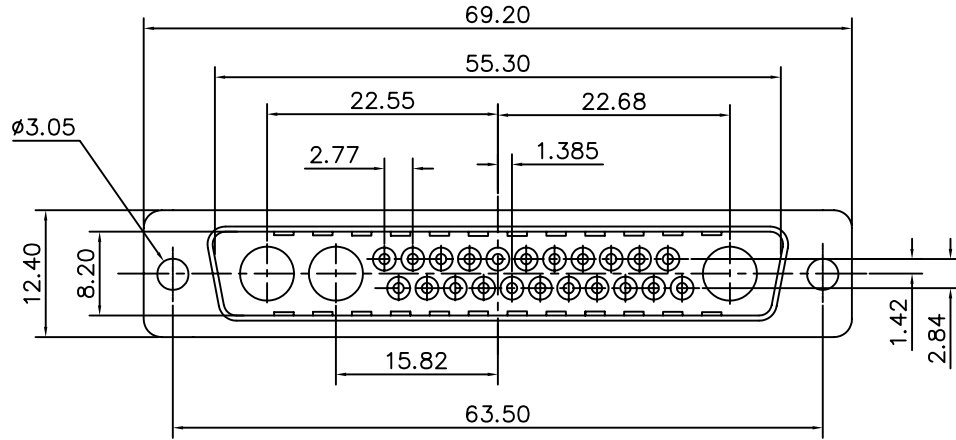


This document is the property of Amphenol Corporation and is delivered on the express condition that it is not to be disclosed, reproduced or used, in whole or in part, for manufacture or sale by anyone other than Amphenol Corporation without its prior consent, & that no right is granted to disclose or to use any information in this document.



RECOMMENDED P.C.B LAYOUT
(TOLERANCE +/-0.03)



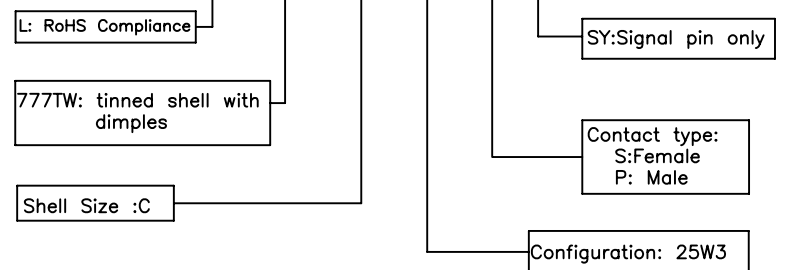
REVISIONS				
SYM	ECN	DESCRIPTION	DATE	APPROVED
A			08/15/07	

D-SUB TECHNICAL DATA

SHELL :Steel 2.5um(100u") min tin over 1.25um(50u") min nickel
 BODY : Glass filled thermoplastic.
 Flame retardant to UL94 V-0
 Color Black
 CONTACTS : Brass
 Signal contact: 0.375um(15u") min gold over 1.25um(50u") min nickel
 ELECTRICAL : Voltage rating:signal contacts 300 V RMS at 50 Hz
 Current rating: signal contacts 7.5A
 Withstanding Voltage >1000 V RMS at 50 Hz for one minute
 Insulation resistance >5000 M Ohms
 Contact resistance 20 mOhms max.
 CLIMATIC : Temperature range -55 °C up to 155°C
 Damp heat 56 days(40 °C-95% HR)
 MARKING : Amphenol...(Series No.)
 Commercial reference
 Manufacturing date

PRODUCT CODE

L 717TW C 25W3 P SY



UNLESS OTHERWISE SPECIFIED TOLERANCES U.S. METRIC	DRAWN	Lisa.peng	08/15/07
	CHECKED	Mk.wang	08/15/07
	CHECKED		
FOR MATERIALS AND FINISHES SEE NOTES		DRAWING FILE :	
REMOVE SHARP EDGES		ANGLE OF PROJECTION	
DIMENSIONS			
U.S.	INCHES		
METRIC	MM		

Amphenol		
TITLE Hybrid connector, TW series		
SIZE	DRAWING NO.	REV.
A4	C L717TWC25W3PSY	A
SCALE	NONE	SHEET 1 OF 1